

Maclaren Products Ltd

SM70 Single Solenoid Gas Valve Class A Rp 3/8 or 1/2

Features

- Approved to EN 161.
- Connections : BS 21, ISO 7 – 1.
- Replaceable solenoid coil.
- Voltages: 230, 110/120, 24 Volt 50/60 Hz.
- Solenoid fitted with full-wave protected rectifier to ensure quiet operation.
- Electrical terminal options: Class A 3 tab.

Optional Features

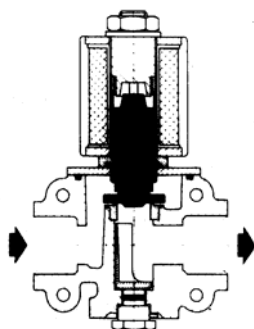
- Plug for 3 tab coil to specification DIN 43650.
Note: Plug must be fitted to solenoid with sealing washer to provide overall protection to IP54.
- Strainer.
- By-pass.
- Maximum flow adjustment.
- Rp1/8 pressure connections (4 places).
- Rp1/2 bottom outlet connection.
- Flange connections (3 places – 4 x M4 holes).
- Multi position mounting facility

Application

The type SM70 single solenoid gas valve is designed for use on industrial and commercial gas burners for the control of gas fired ovens, furnaces, and air heaters, etc.

Description

The SM70 valve has a diecast aluminium body on which is mounted a rectified magnetic coil. It has a soft seat for tight shut-off. The valve is normally closed and opens when energised.



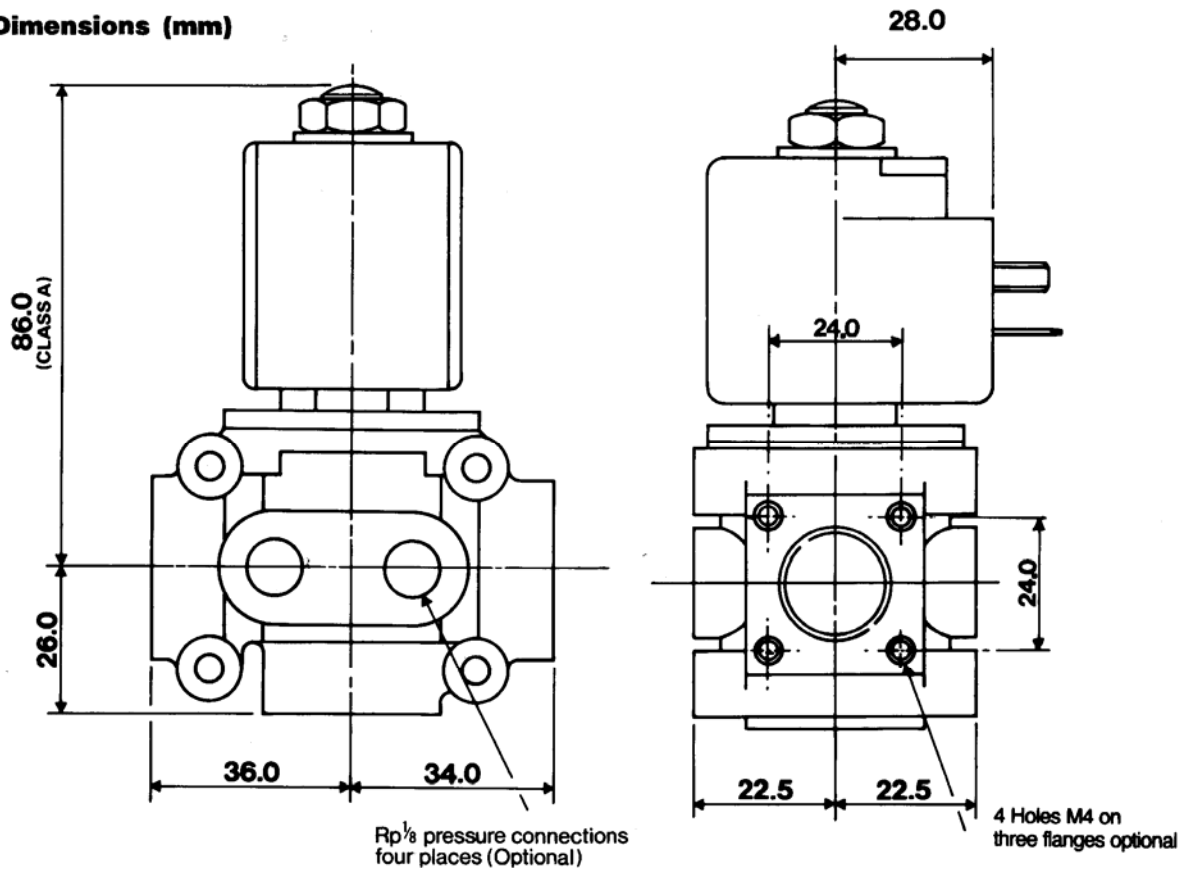
Specification

Product	Class A Group 2
Media	1 st 2 nd & 3 rd family gases
Ambient Temp Range	-15° to 70° C
Opening Time	< 1 second
Closing time	< 1 second
Strainer	Stainless steel 40 mesh
Body Material	Aluminium LM 24
Seat Material	Viton or Buna
Pipe Connections	Rp 3/8 or Rp 1/2
Mounting Position	See diagram overleaf

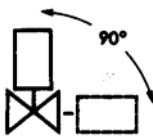
	Class A	
Electrical Rating	16VA	16VA
Working Pressure	360 mbar	200 mbar
Orifice Diameter	10mm	12mm

Flow Rates			
(Natural gas SG 0.6)	Rp 3/8	3.2 m ³ /hr	5.15 m ³ /hr
At 2.5 mbar ΔP	Rp 1/2	4.5 m ³ /hr	6.36 m ³ /hr

Dimensions (mm)



Valve Attitude



Users are reminded of their responsibility to ensure that all controls are used safely, without risk to health and in compliance with local laws and regulations.

Table 1 Catalogue Numbers*

Catalogue Number	Class	Pipe Size	Voltage	Coil Type	Coil Ref. No.
Examples:-					
SM706-1200-BJ01	A	Rp1/2	230V 50/60 Hz	3Tab(DIN)	S39AJA
SM705-1200-BJ01	A	Rp3/8	230V 50/60 Hz	3Tab(DIN)	S39AJA

*For other voltage options consult factory

Leaflet subject to change without prior notice

Maclaren Products Ltd

Block 7 South Avenue
 Blantyre Industrial Estate, Blantyre
Glasgow G72 0XB
 Telephone: +44 (0) 1698 327065.
 Fax: +44 (0) 1698 327066.