

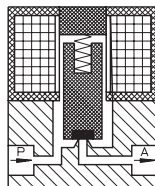
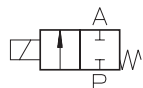
## Type MA 202

2-way solenoid valve  
direct actuated, NC  
(normally closed)



### Application

Gases according to DVGW  
worksheet G 260 / I



Type/ Order No.	Orifice [mm]	Port size	Pressure range [bar]		Q* [m³/h]	Weight [kg]	CE number acc. to DIN EN 161
			AC	DC			
MA 202-016	3,5	M 12 x1	0 - 3	-	0,32	0,250	CE-0085AN0079
MA 202-017	3,5	M 12 x1	-	0 - 3	0,32	0,250	CE-0085AN0079
MA 202-026	3,5	M 12 x1	-	0 - 0,05	0,32	0,250	CE-0085AN0080

Sealing material: **P** (NBR)

\*Q: by delta p 2,5 mbar

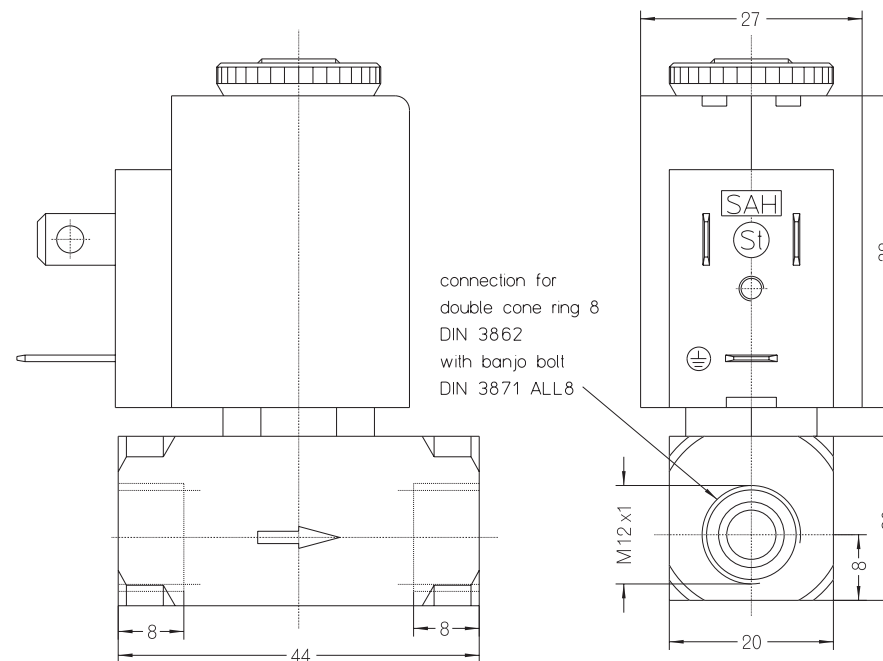
Body material: Brass  
 Inner parts: Stainless steel (1.4105)  
 Mounting direction: Free, preferred upwards  
 Max. ambient temp.: -15 °C to +60 °C  
 Approval: DIN EN 161 KI.A  
 Standard voltage: DC: 24 V, 12 V  
 AC: 230 V, 115 V, 42 V,  
 24 V, 12 V (50 or 60 Hz)

Power consumption: 11 VA / 8 W  
 (8 W for MA 202-026)  
 Voltage tolerance: -15%... +10%  
 Duty cycle: 100% (MA 202-026)  
 Operating frequency: max. 1000/min  
 Degree of Protection: IP 54 (EN 60529)

168

Other configurations upon request

staiger



The right to modification is reserved

169

Dimensions in mm

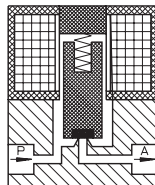
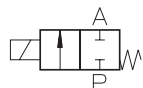
### Type MA 202

2-way solenoid valve  
direct actuated, NC  
(normally closed)



#### Application

Gases according to DVGW  
worksheet G 260 / I



Type/ Order No.	Orifice [mm]	Port size	Pressure range [bar]		Q* [m³/h]	Weight [kg]	CE number acc. to DIN EN 161
			AC	DC			
MA 203-013	6,0	M 12 x1	0 - 0,35	0 - 0,3	2,5	0,400	CE-0085AN0077

Sealing material: **P** (NBR)

\*Q: by delta p 2,5 mbar

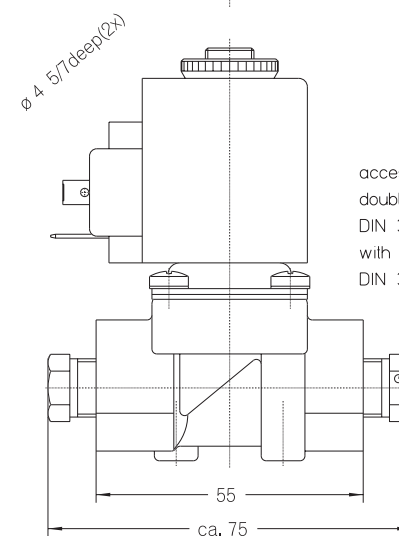
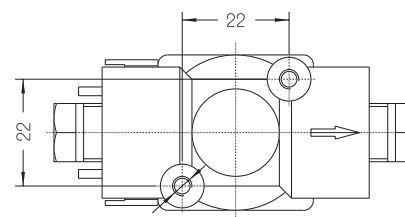
Body material:	Brass
Inner parts:	Stainless steel (1.4105)
Mounting direction:	Free, preferred upwards
Max. ambient temp.:	-20 °C to +60 °C
Approval:	DIN EN 161 KI.B
Standard voltage:	DC: 196 V, 12 V AC: 230 V (50 or 60 Hz)

Power consumption:	5 VA / 4 W / 9 W
Voltage tolerance:	-15%... +10%
Duty cycle:	100%
Operating frequency:	max. 360/min
Degree of Protection:	IP 54 (EN 60529)

Other configurations upon request

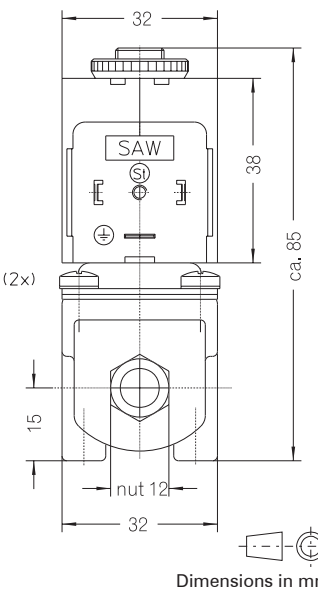
170

staiger



The right to modification is reserved

171



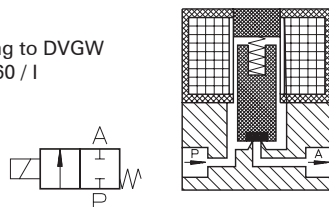
### Type MA 222

2-way solenoid valve  
direct actuated, NC  
(normally closed)



#### Application

Gases according to DVGW  
worksheet G 260 / I



Type/ Order No.	Orifice [mm]	Port size	Pressure range [bar]		Q* [m³/h]	Weight [kg]	CE number acc. to DIN EN 161
			AC	DC			
MA 222-015	3,5	Rp 1/8	0 - 3	-	0,32	0,200	CE-0085AN0078
MA 222-020	3,5	Rp 1/8	0 - 3	-	0,32	0,200	CE-0085AN0078
MA 222-025	3,5	Rp 1/8	-	0 - 3	0,32	0,200	CE-0085AN0078

Sealing material: **P** (NBR)

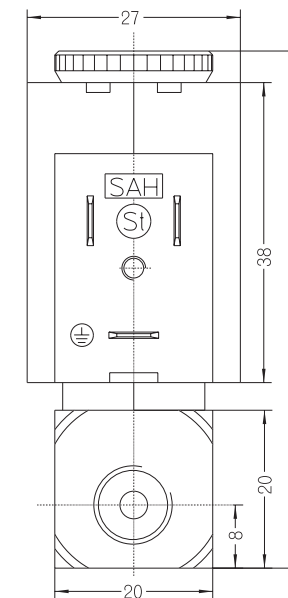
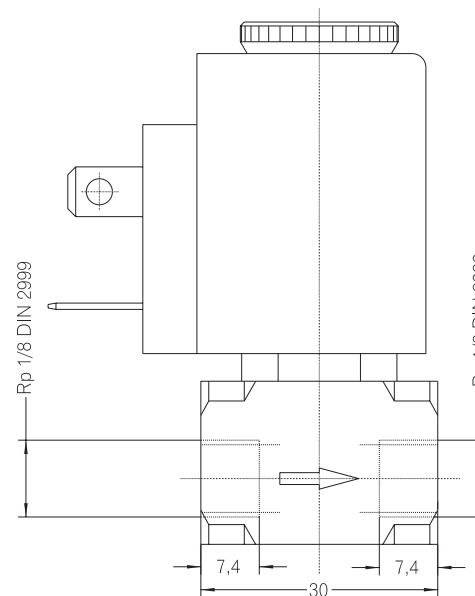
\*Q: by delta p 2,5 mbar

Body material: Brass  
 Inner parts: Stainless steel (1.4105)  
 Mounting direction: Free, preferred upwards  
 Max. ambient temp.: -15 °C to +60 °C  
 Approval: DIN EN 161 KI.A  
 Standard voltage: DC: 24 V, 12 V  
 AC: 230 V, 115 V, 24 V  
 (50 or 60 Hz)

Power consumption: 5 VA / 8 W  
 Voltage tolerance: -15%... +10%  
 Duty cycle: 100%  
 Operating frequency: max. 1000/min  
 Degree of Protection: IP 54 (EN 60529)

Other configurations upon request

The right to modification is reserved



Dimensions in mm

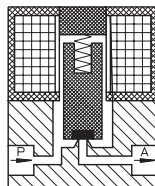
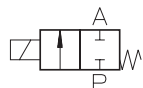
### Type MA 232

2-way solenoid valve  
direct actuated, NC  
(normally closed)



#### Application

Gases according to DVGW  
worksheet G 260 / I



Type/ Order No.	Orifice [mm]	Port size	Pressure range [bar]		Q* [m³/h]	Weight [kg]	CE number acc. to DIN EN 161
			AC	DC			
MA 232-027	3,5	Rp 1/4	-	0 - 3	0,32	0,200	CE-0085AN0078
MA 232-028	3,5	Rp 1/4	0 - 3	-	0,32	0,200	CE-0085AN0078
MA 232-054	3,5	Rp 1/4	0 - 3	-	0,32	0,200	CE-0085AN0078

Sealing material: **P** (NBR)

\*Q: by delta p 2,5 mbar

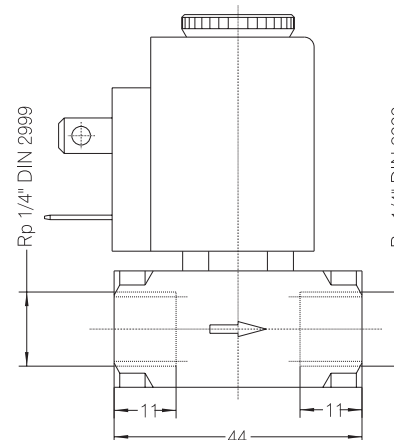
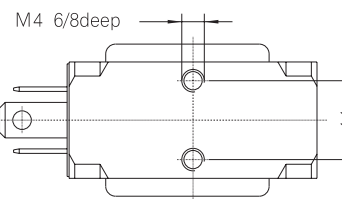
Body material: Brass  
 Inner parts: Stainless steel (1.4105)  
 Mounting direction: Free, preferred upwards  
 Max. ambient temp.: -15 °C to +60 °C  
 Approval: DIN EN 161 KI.A  
 Standard voltage: DC: 24 V, 12 V  
 AC: 230 V, 115 V, 24 V  
 (50 or 60 Hz)

Power consumption: 5 VA / 8 W / 3 W  
 Voltage tolerance: -15%... +10%  
 Duty cycle: 100%  
 Operating frequency: max. 1000/min  
 Degree of Protection: IP 54 (EN 60529)

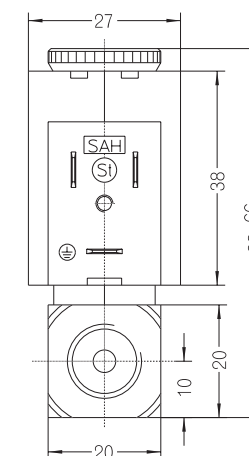
Other configurations upon request

174

staiger



The right to modification is reserved



Dimensions in mm

175

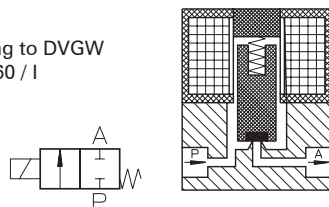
### Type MA 233

2-way solenoid valve  
direct actuated, NC  
(normally closed)



#### Application

Gases according to DVGW  
worksheet G 260 / I



Type/ Order No.	Orifice [mm]	Port size	Pressure range [bar]		Q* [m³/h]	Weight [kg]	CE number acc. to DIN EN 161
			AC	DC			
MA 233-001	13,0	Rp 1/4	0 - 0,2	0 - 0,2	3,3	0,400	CE-0085AN0076
MA 233-022	13,0	G 1/4	0 - 0,2	0 - 0,2	3,3	0,400	CE-0085AN0076

Sealing material: **P** (NBR)

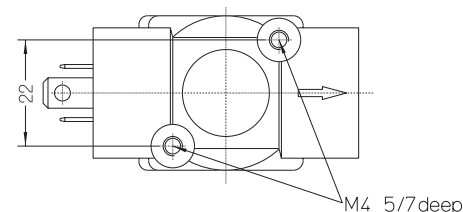
\*Q: by delta p 2,5 mbar

Body material: Brass  
 Inner parts: Stainless steel (1.4105)  
 Mounting direction: Free, preferred upwards  
 Max. ambient temp.: -10 °C to +60 °C  
 Approval: DIN EN 161 KI.A  
 Standard voltage: DC: 24 V, 12 V  
 AC: 230 V, 115 V, 42 V,  
 24 V, 12 V (50 or 60 Hz)

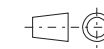
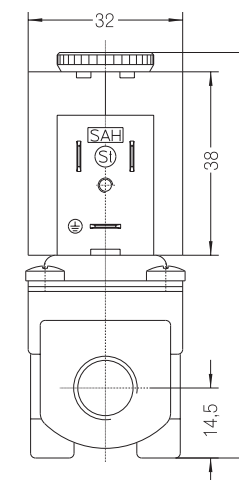
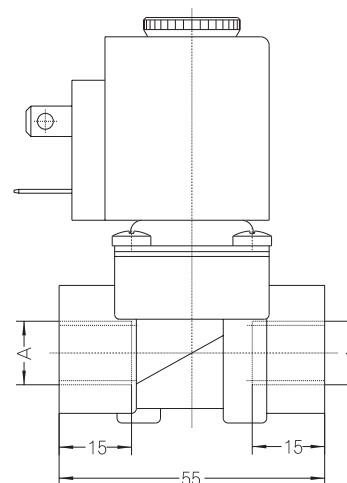
Power consumption: 15 VA / 11 W  
 Voltage tolerance: -15%... +10%  
 Duty cycle: 100%  
 Operating frequency: max. 360/min  
 Degree of Protection: IP 54 (EN 60529)

Other configurations upon request

Type	A
MA 233-001	Rp 1/4 DIN 2999
MA 233-022	G 1/4 DIN 259



The right to modification is reserved



Dimensions in mm

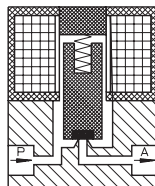
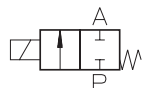
### Type MA 243

2-way solenoid valve  
direct actuated, NC  
(normally closed)



#### Application

Gases according to DVGW  
worksheet G 260 / I



Type/ Order No.	Orifice [mm]	Port size	Pressure range [bar]		Q* [m³/h]	Weight [kg]	CE number acc. to DIN EN 161
			AC	DC			
MA 243-001	13,0	Rp 3/8	0 - 0,2	0 - 0,2	3,3	0,400	CE-0085AN0076
MA 243-009	13,0	G 3/8	0 - 0,2	0 - 0,2	3,3	0,400	CE-0085AN0076

Sealing material: **P** (NBR)

\*Q: by delta p 2,5 mbar

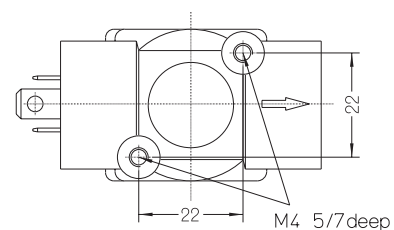
Body material: Brass  
 Inner parts: Stainless steel (1.4105)  
 Mounting direction: Free, preferred upwards  
 Max. ambient temp.: -10 °C to +60 °C  
 Approval: DIN EN 161 KI.A  
 Standard voltage: DC: 24 V, 12 V  
 AC: 230 V, 115 V, 24 V  
 (50 or 60 Hz)

Power consumption: 15 VA / 11 W  
 Voltage tolerance: -15%... +10%  
 Duty cycle: 100%  
 Operating frequency: max. 360/min  
 Degree of Protection: IP 54 (EN 60529)

Other configurations upon request

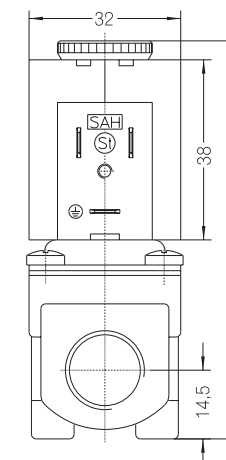
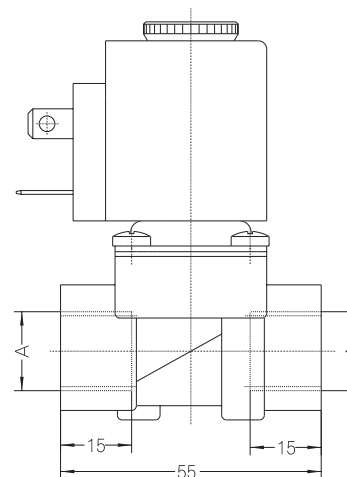
178

staiger



Type	A
MA 243-001	Rp 3/8 DIN 2999
MA 243-009	G 3/8 DIN 259

The right to modification is reserved



Dimensions in mm

179

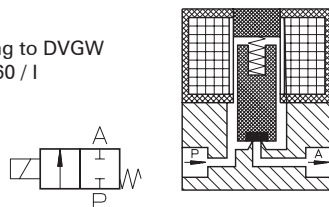
### Type MA 253

2-way solenoid valve  
direct actuated, NC  
(normally closed)



#### Application

Gases according to DVGW  
worksheet G 260 / I



Type/ Order No.	Orifice [mm]	Port size	Pressure range [bar]		Q* [m³/h]	Weight [kg]	CE number acc. to DIN EN 161
			AC	DC			
MA 253-001	13,0	Rp 1/2	0 - 0,2	0 - 0,2	3,3	0,400	CE-0085AN0076
MA 253-013	13,0	G 1/2	0 - 0,2	0 - 0,2	3,3	0,400	CE-0085AN0076

Sealing material: **P** (NBR)

\*Q: by delta p 2,5 mbar

Body material: Brass  
 Inner parts: Stainless steel (1.4105)  
 Mounting direction: Free, preferred upwards  
 Max. ambient temp.: -10 °C to +60 °C  
 Approval: DIN EN 161 KI.A  
 Standard voltage: DC: 24 V, 12 V  
 AC: 230 V, 115 V, 42 V,  
 24 V, 12 V (50 or 60 Hz)

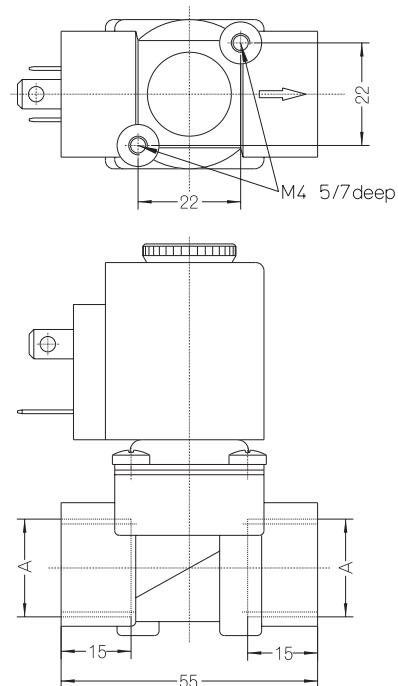
Power consumption: 15 VA / 11 W  
 Voltage tolerance: -15%... +10%  
 Duty cycle: 100%  
 Operating frequency: max. 360/min  
 Degree of Protection: IP 54 (EN 60529)

Other configurations upon request

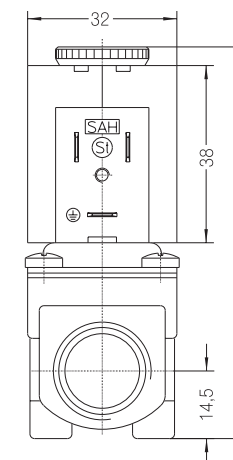
180

staiger

Type	A
MA 253-001	Rp 1/2 DIN 2999
MA 253-013	G 1/2 DIN 259



The right to modification is reserved



Dimensions in mm

181